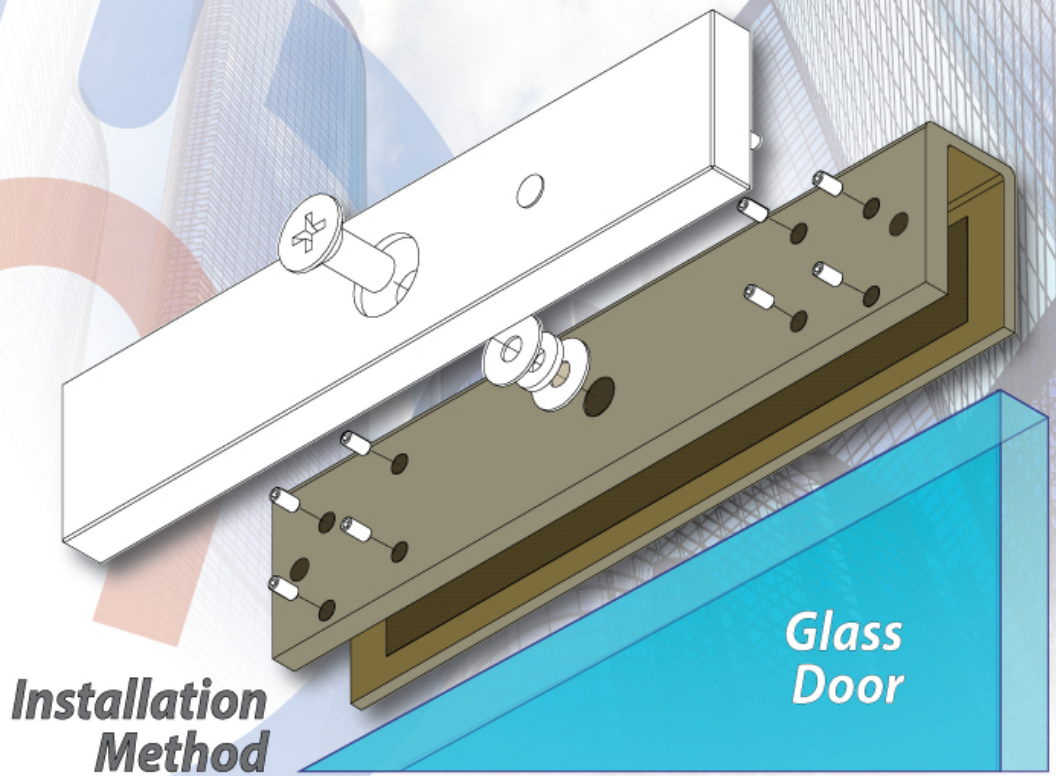
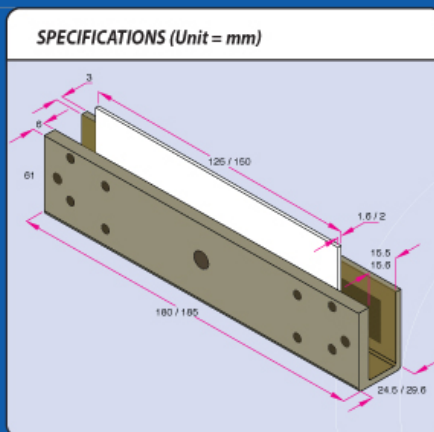
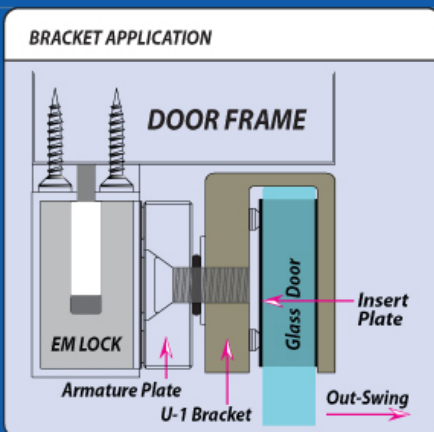


EM600/1200 - U1 BRACKET (GLASS DOOR APPLICATION)



SPECIFICATION



All specifications are subject to change without prior notifications. Drawings contained in this document are for reference only. Go to <http://www.jantech.com.my> for the latest support documentation and related media.